



POWER AMPLIFIER PENTODE 6761

For use as output tube in telephone equipment and industrial applications, particularly in broadband amplifiers. Within its ratings it is a suitable replacement for type 6216.

COLD CAPACITANCES (without external shield)

Grid No 1 to Plate4	$\mu\mu\text{F}$
Input	14	$\mu\mu\text{F}$
Output	6	$\mu\mu\text{F}$

ABSOLUTE MAXIMUM RATINGS

Plate Voltage	275	volts
Grid No 2 Voltage	220	volts
Grid No 1 Voltage, positive value	+ 10	volts
Grid No 1 Voltage, negative value	- 55	volts
Cathode Current	110	ma
Plate Dissipation	11	watts
Grid No 2 Dissipation (see Section A)	1.65	watts
Heater — Cathode Voltage	110	volts
Bulb Temperature, at hottest point	200	°C
Grid No 1 Circuit Resistance		
with fixed bias1	Mohm
with cathode bias5	Mohm

MECHANICAL DATA

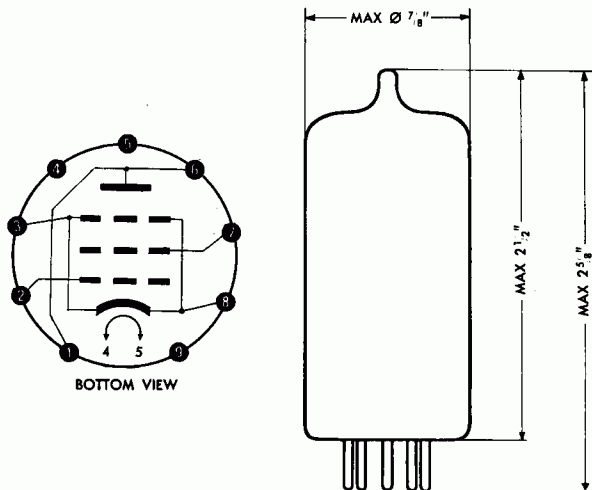
Base: Small Button Noval 9-pin,
RETMA E9-1

Bulb: EIA T 6½

Mounting Position: Any

PIN NO. CONNECTED TO

1. Plate
2. Grid No 1
3. Cathode, Grid No 3
4. Heater
5. Heater
6. Plate
7. Grid No 2
8. Cathode, Grid No 3
9. No Connection



6761 POWER AMPLIFIER PENTODE



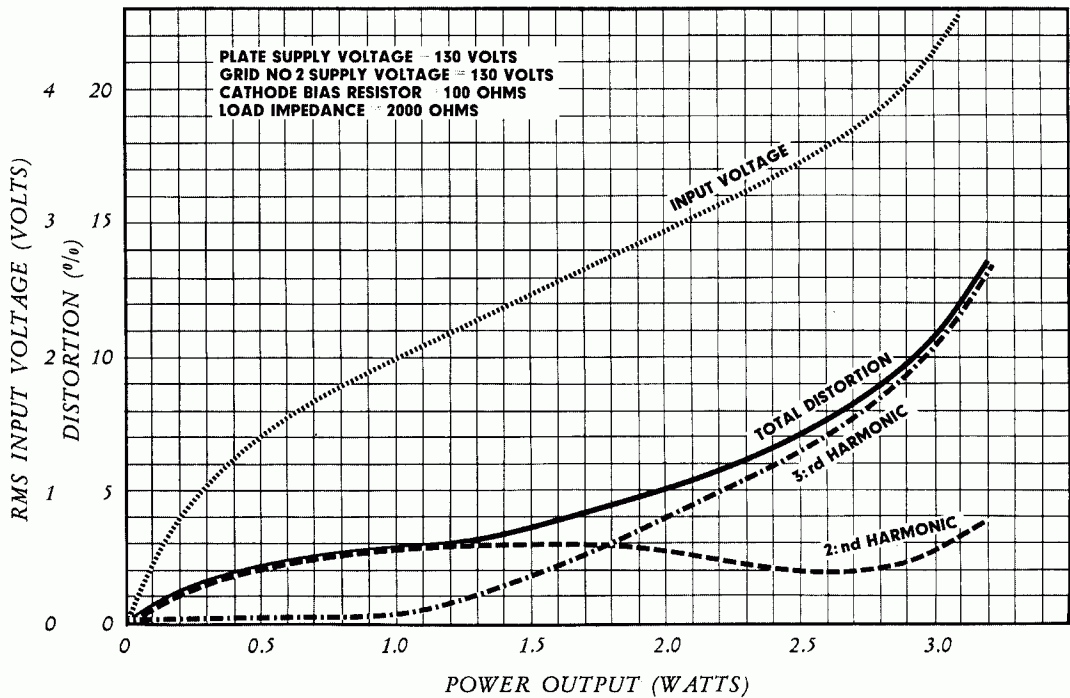
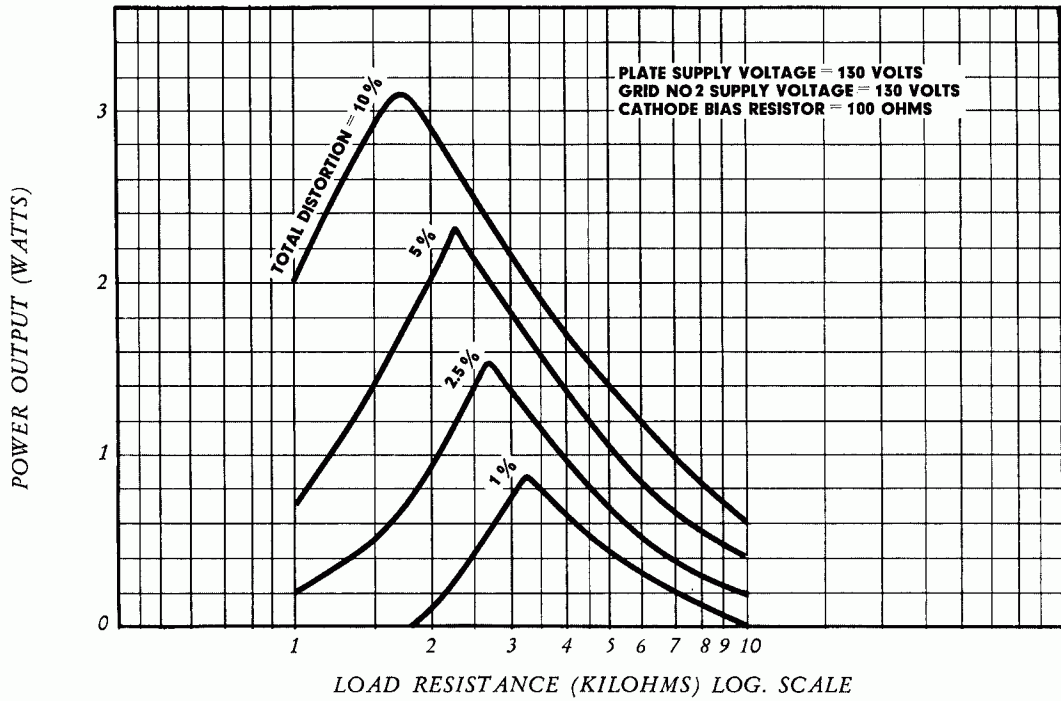
TYPICAL OPERATION. CLASS A₁

Heater Voltage	6.3	volts
Heater Current	1.0	amp
Plate Supply Voltage	130	volts
Grid No 2 Supply Voltage	130	volts
Cathode Bias Resistor	100	ohms
Plate Current	70	ma
Grid No 2 Current	3.5	ma
Transconductance	13,000	μmhos
Plate Resistance approx.	23,000	ohms
Load Resistance	1500	ohms
Power Output	3.0	watts
Total Harmonic Distortion	10	%
Amplification Factor Grid No 2 to 1	8	
Grid No 1 Voltage for Plate Current = 10 μa	- 25	volts

OPERATION RANGE VALUES

	MIN	AVE	MAX	
Heater Voltage		6.3		volts
Plate Supply Voltage		130		volts
Grid No 2 Supply Voltage		130		volts
Cathode Bias Resistor		100		ohms
Heater Current	900	1000	1100	ma
Plate Current	56	70	84	ma
Grid No 2 Current		3.5	7	ma
Transconductance	11,000	13,000	15,000	μmhos
Transconductance, End of Life Point	8500			μmhos
I _{hk} at E _{hk} = ± 100 volts			50	μa
Grid No 1 Current			-1.0	μa
Cutoff Plate Current at E _{c1} = - 25 volts			100	μa

AVERAGE CHARACTERISTICS



6761 POWER AMPLIFIER PENTODE



AVERAGE CHARACTERISTICS

